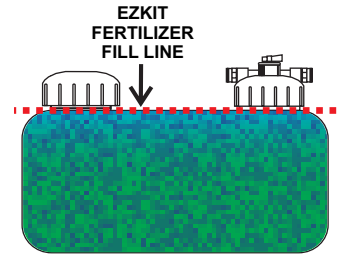
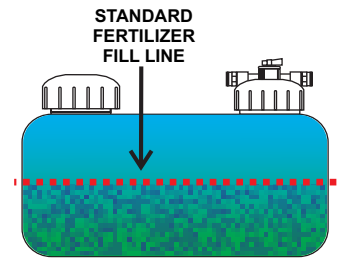


## CAPACITY

The new EZKIT systems are the next generation of quality injection products offered by EZ-FLO. The EZKIT-1 and EZKIT-3 are nearly identical in construction to the time tested CX versions. However, the KITS now offer upgraded features previously only available in high capacity models.

The proprietary fill system nearly **doubles the water-soluble powder capacity** of a CX model, extending the refill duration or coverage area of a tank. The EZKIT-3 will service properties as large as 4000 m<sup>2</sup> of turf or 8000 m<sup>2</sup> of drip when using Water Soluble Powders (WSP).



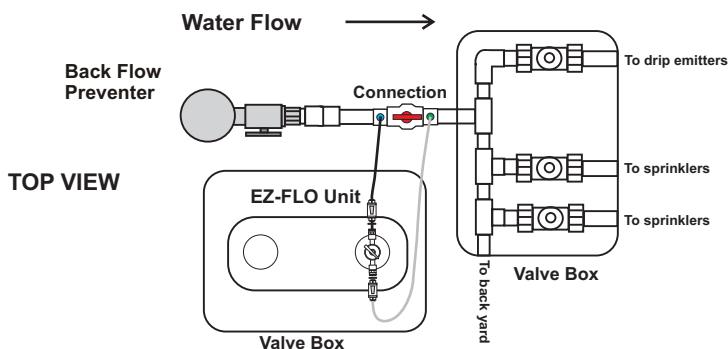
## CONVENIENCE

Each model incorporates a separate fill port and drain valve allowing for the system to be refilled with product and never leave the valve box. No tubing to disconnect or heavy tank to lift out providing for a faster, simpler refill. The CBV connection for 3/4"-1" (20mm-25mm) and Tubing Kit come standard in the box.



## COST

With added duration between refills, less site visits are required to service a typical property or you can lower your equipment install cost. A smaller system, smaller valve box, smaller hole, all make adding EZ-FLO a budget friendly option for more clients.



## MAINLINE INSTALLATION

Feeds Multiple Zones

# TECHNICAL DATA

**PART:** EZKIT 1  
**LIQ:** 6.7 litre capacity  
**WSP:** 9 kg water soluble capacity  
**DIMS:** 36x25x28 cm  
**Valve Box:** 50x40x30 cm  
**Weight:** 5.5 kg  
 CBV Connection Included



**PART:** EZKIT 3  
**LIQ:** 9.6 litre capacity  
**WSP:** 12 kg water soluble capacity  
**DIMS:** 56x25x27 cm  
**Valve Box:** 75x46x43 cm  
**Weight:** 6.3 kg  
 CBV Connection Included



## THE EZKIT ADVANTAGE

